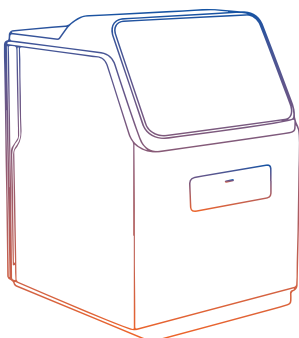




RD34

Biochemical Analyzer

Immediate Results Anywhere Anytime



- » Test Up to 34 Parameters in total
- » 3-Step simple operation

- » Test results in 12 minutes
- » User Friendly

RD34 Biochemical Analyzer



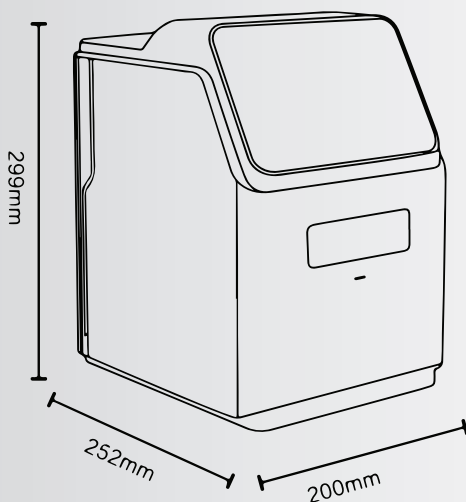
- > RD-34 Automatic Biochemistry Analyzer is a biochemical analysis system that integrates conventional biochemistry coagulation, electrolyte, and immunoassay items. It is widely used in primary health, emergency diagnostic testing, field rescue, and other fields.
- > Equipped with the latest medical and technological innovations we have invented a state-of-the-art portable RD-34 Automatic biochemistry analyzer which provides a better, faster and more accurate diagnosis for blood analysis



Built-in thermal printer



7 inch multi-touch screen,
Android system, multi
language support



Easy 3 Step Operation



Add Sample (100ul)



Insert Disc
(12 minutes testing time)



Read Results
(Immediately)

SPECIFICATIONS

Sample volume	90-120ul
Bar Code	Two dimensional Bar code
Testing time	12 minutes / sample
Temperature	37°C±0-3°C
Absorbance	0.001 Abs
Cross infection	0
Sample Type	Lithium Heparin Anticoagulant whole blood, serum and plasma.
Work condition	Temperature: 10-30°C Humidity: 30%-70%
Testing principle	Absorption spectroscopy, Turbidimetry
QC & Calibrate	Automatic and real-time
Testing method	End-point. kinetic, two-point
Light source	Halogen tungsten lamp's shelf life is over 2500 hours
Power supply	AC 100V-240V, 50-60HZ
Rated Power	120VA
Storage	MAX 500,000 results
Display	7 inch 800*480 multi-touch screen Android system, multi-language support
Printer	Built-in thermal printer
Connections	4 USB interfaces, 1 LAN interfaces
Weight	4.6Kg

Advantages



Low sample consumption

The sample Volume needed is 1/10 - 1/20 of the conventional chemistry analyzer



Easy to Use

No professional skill is required.



Maintenance Free

Robust analyzer, no consumables needed, such as tubes, pumps, and valves.



Accurate Result

Using the photoelectric colorimetric principle, the RD-34 analyzer has many advantages Versus conventional dry biochemistry analyzers using the light reflection method. Dilution of the test sample is guaranteed Without random error or cross contamination.



Reagent Disc Introduction

Born from space technology research, Nanomax reagent disc is a fully self-contained single-use chemistry reagent disc designed to satisfy a variety of conditions. Just 3-4 drops (100ul) of whole blood are required to offer accurate results. The test kit consists of lyophilized reagent beads, diluent and a QR code. The reagent disc has a shelf life of 12 months (2-8°C storage). The diluent is contained in the disc. The QR code includes the basic information about the disc.



Intelligent Quality Control

The reagent disc contains a complicated internal quality control system IQC which continuously monitors the disc function to ensure reaction stability and optimal disc performance. IQC is the engine that drives the RD-34 accurately and precisely.



Correlation

In countless central-lab correlation studies, the accuracy, precision, and reproducibility of the RD-34 chemistry analyzer have been proven and approved by the most respected hospitals and commercials around the world.



Reagent Panel

RD34
Biochemical Analyzer

<p>17 General Chemistry IV Kit</p> <p>TG, TC, HDL, Hcy, LP (a) cys.c crea UREA, IIA GLU, FRUC, TP, ALB, AST ALT TB, DB, AIG* UIC* LDL*IBIL* GLOB*</p>	<p>19 General Chemistry V Kit</p> <p>AST, LDH, CK, K- Na-, UREA, UA, Mg LPS, GLU, CRP, HBDH CK-MB, U/C*</p>	<p>14 General Chemistry Kit</p> <p>ALB, ALP, ALT, AMY AST, Crea, GLU, GGT, TB TC, TG, TP, UA, UREA U/C* A/G* GLOB*</p>	
<p>8 Renal Function Kit</p> <p>ALB, ca crea, GLU PHOS, tCO₂, UA UREA U/C*</p>	<p>18 General Chemistr II Kit</p> <p>ALB, AMY, AST, Ca, CK Cl-, Crea, GLU, HBDH LDH, LPS, Mg, Na*, K* tCO₂, UA, UREA, PHOS, U/C*</p>	<p>19 General Chemistry III Kit</p> <p>ALB, TP, GLU, TC, TG HDL, ALP, GGT, TB DB, CHE, TBA, ALT, AST CK, AMY, Crea, UREA UA, A/G* LDL* U/C* GLOB</p>	<p>10 Relyte Kit</p> <p>K*, Na*, Cl- Ca, Mg, tCO₂ UREA, Crea, UA PHOS, U/C*</p>
<p>10 Liver Function Kit</p> <p>ALB, ALP, ALT AMY, AST, CHE, TBA GGT, TB, TP, A/G* GLOB*</p>	<p>8 Renal Function Kit</p> <p>ALB, Ca, Cl-, Crea K*, Na*, UA, U/C* UREA</p>	<p>6 Lipid Kit</p> <p>ALT, AST, GLU HDL, TC, TG, LDL*</p>	
<p>7 Electrolyte Kit</p> <p>Ca, Cl-, K*, Mg Na*, PHOS tCO₂</p>	<p>5 CRP Kit</p> <p>LPS, CRP, AMY UREA, Crea</p>	<p>5 Cardiac kit</p> <p>AST, LDH CK, HBDH, CK-MB</p>	<p>13 Liverl Function Kit</p> <p>ALB, ALP, ALT, AST CHE, Crea, DB, GGT, TB TBA, TP, UA, UREA, U/C* A/G*, GLOB*</p>
<p>14 General Chemistry B Kit</p> <p>ALB, ALT, AMY, AST CK, Crea, DB, GLU, TB TC, TG, TP, UA, UREA U/C*, A/G*, GLOB*</p>	<p>13 Health Check Kit</p> <p>ALB, AMY, ALT AST, Ca, Crea, CK PHOS, GLU, TB, TG TP, UREA, U/C*, A/G* GLOB*</p>	<p>10 Liver Function Plus Kit</p> <p>ALB, ALT, AMY, AST ALP, DB, GGT, LPS TB, TP, A/G*, GLOB*</p>	
<p>11 Chemistry CRP Kit</p> <p>TP, CRP, TB, AST, ALP ALB, ALT, DB, GLU CRP, UREA U/C* A/C* GLOB*</p>	<p>17 Conventional Chemistry Kit</p> <p>ALB, ALP, ALT, AST CHE, Crea, DB, GGT GLU, HDL, TB, TBA, TC TG, TP, UA UREA U/C* A/G*, LDL*, GLOB*</p>	<p>4 Coagulation Assay Kit</p> <p>Fib, AP, TT, APPT INR*</p>	<p>HbA1c Kit</p> <p>HbA1c</p>